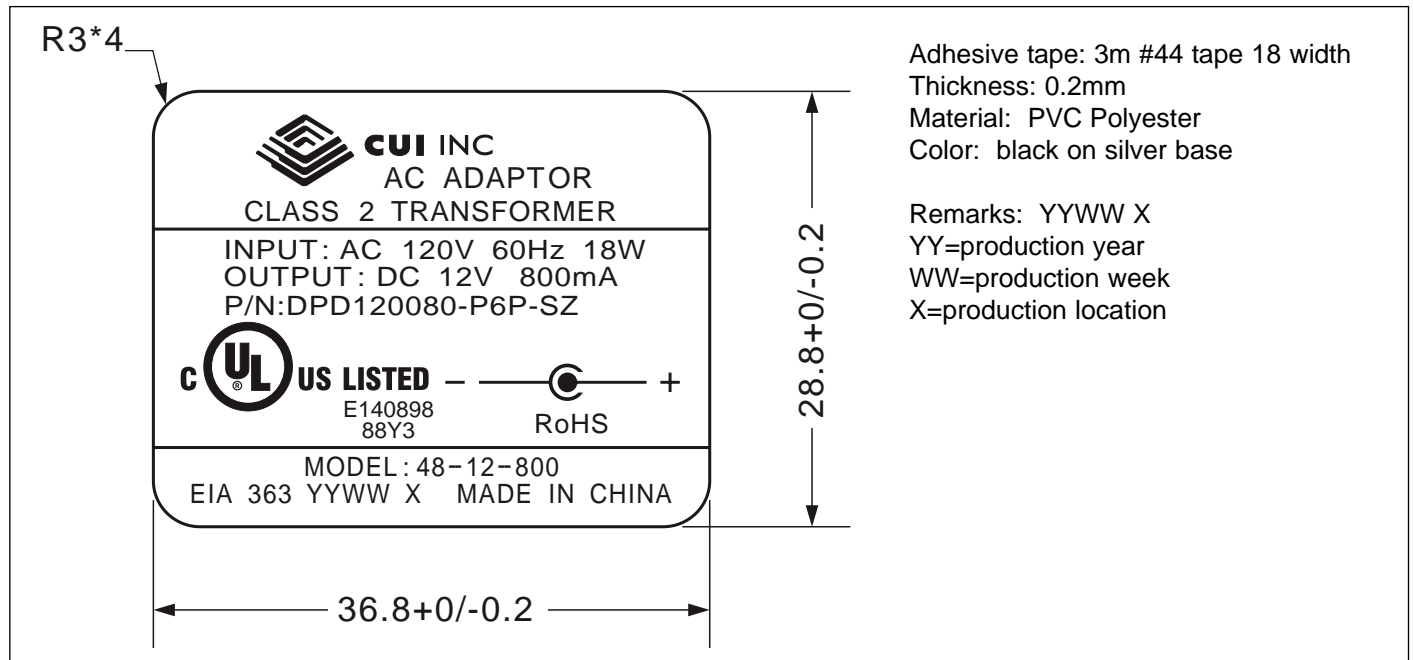



**Specifications**

Output voltage	12 V dc at 800 mA	
Rated input voltage	120 V ac	
Primary rated voltage	120 V ac 60 Hz 18 W	
Primary exciting current	80 mA rms max.	
Secondary rated voltage & current	no load voltage (max.)	18 V
	full load volatge (800 mA)	12 V $\pm$ 5%
Temperature rise of primary winding (full load)	70°C max. using resistance method	
Insulation resistance	$\geq$ 100 M Ohm at 500 V dc	
HI-POT test	from input to output for 1 min.	1240 V ac at 2 mA
	from input to output for 1 sec.	1600 V ac at 2 mA
	from primary to seconardy winding for 1 sec.	1600 V ac at 2 mA
	from primary winding to core for 1 sec.	1600 V ac at 2 mA
	from secondary winding to core for 1 sec.	750 V ac at 2 mA
Safety standards	UL/cUL	
RoHS compliant	yes	
Test conditions	Ambient temp	40°C $\pm$ 2°C
	Humidity	90-95% 96 hours at Full Load
	Rated voltage	8 hours at full load
Adapter color	Case	black
	Cord	black
	Plug Top	black (Insulation Chip)

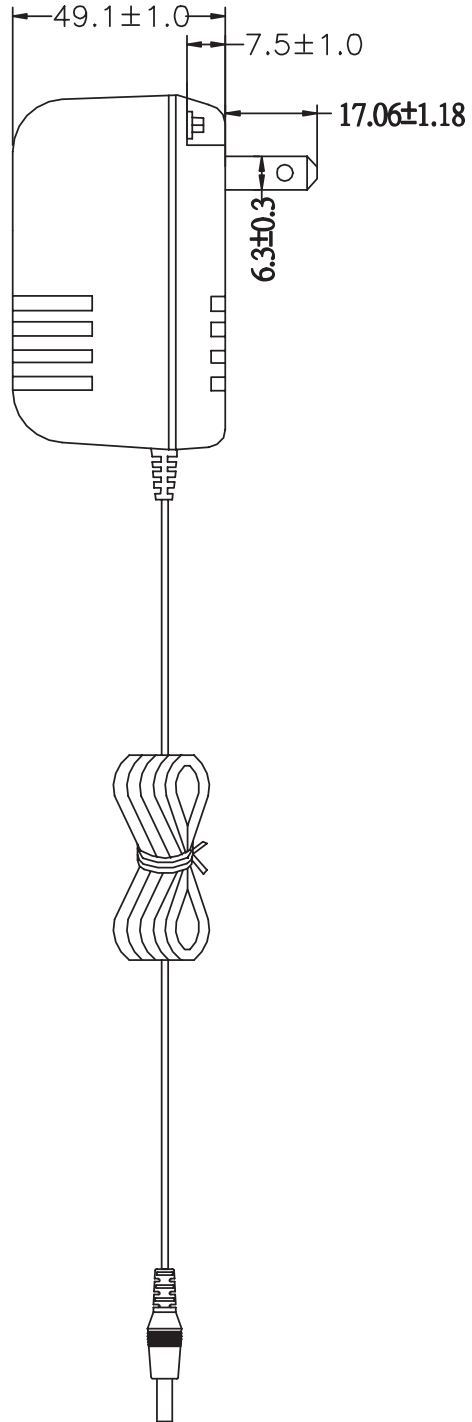
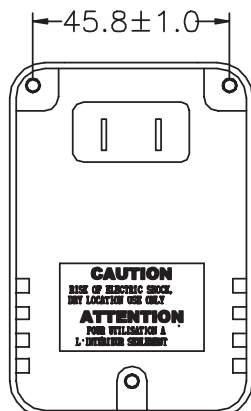
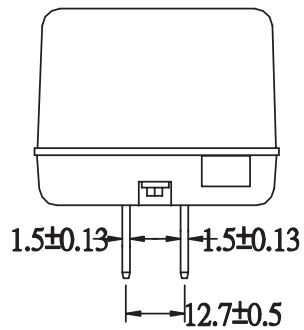
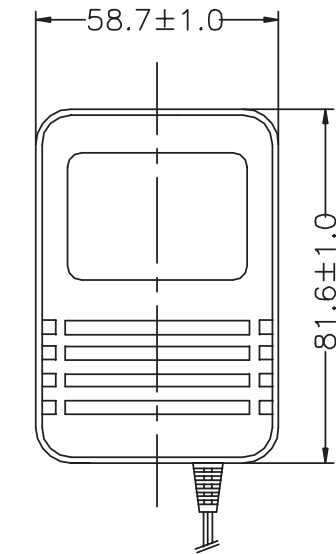
**Label**


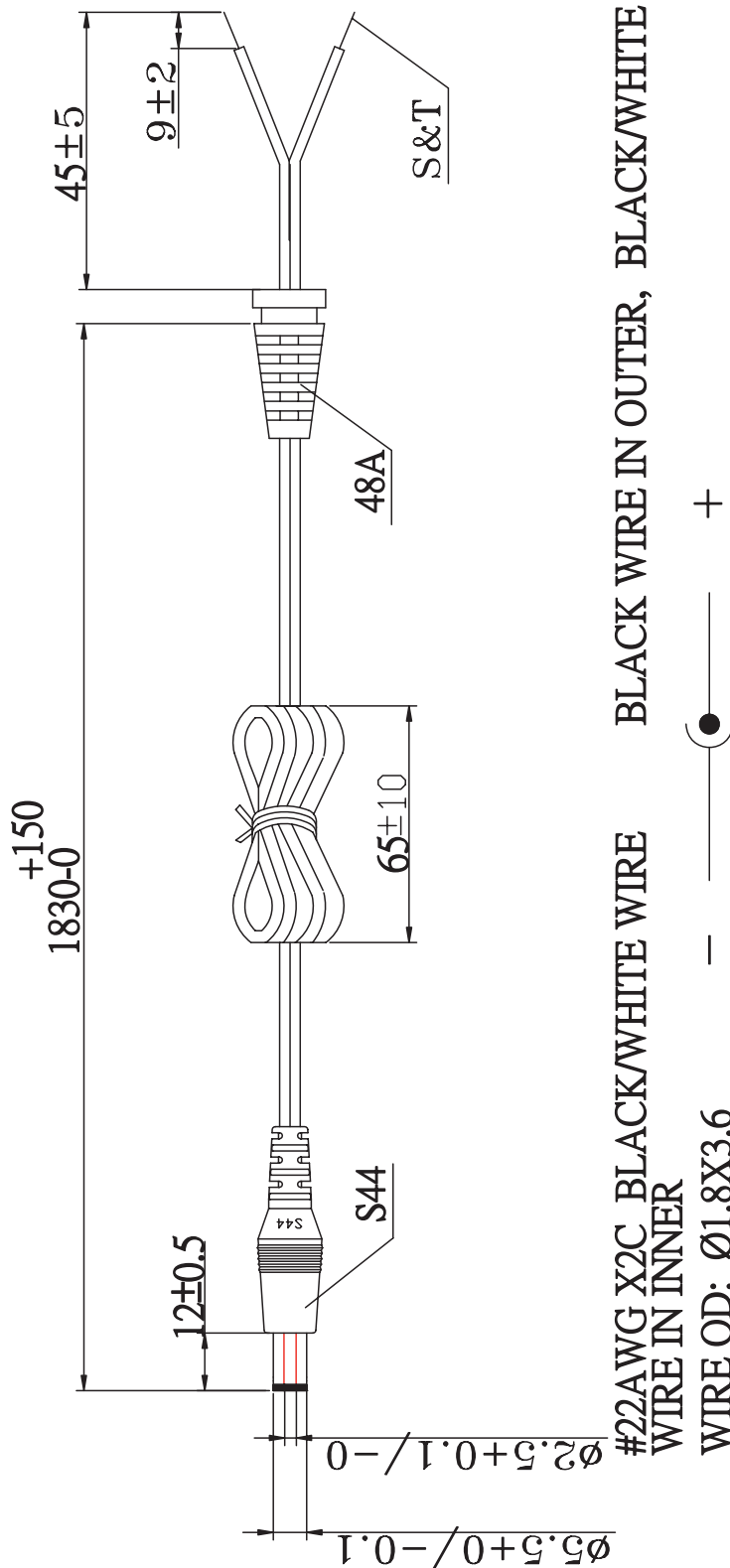
**Mechanical Drawing**

 Tolerance:  $\pm 1$ 

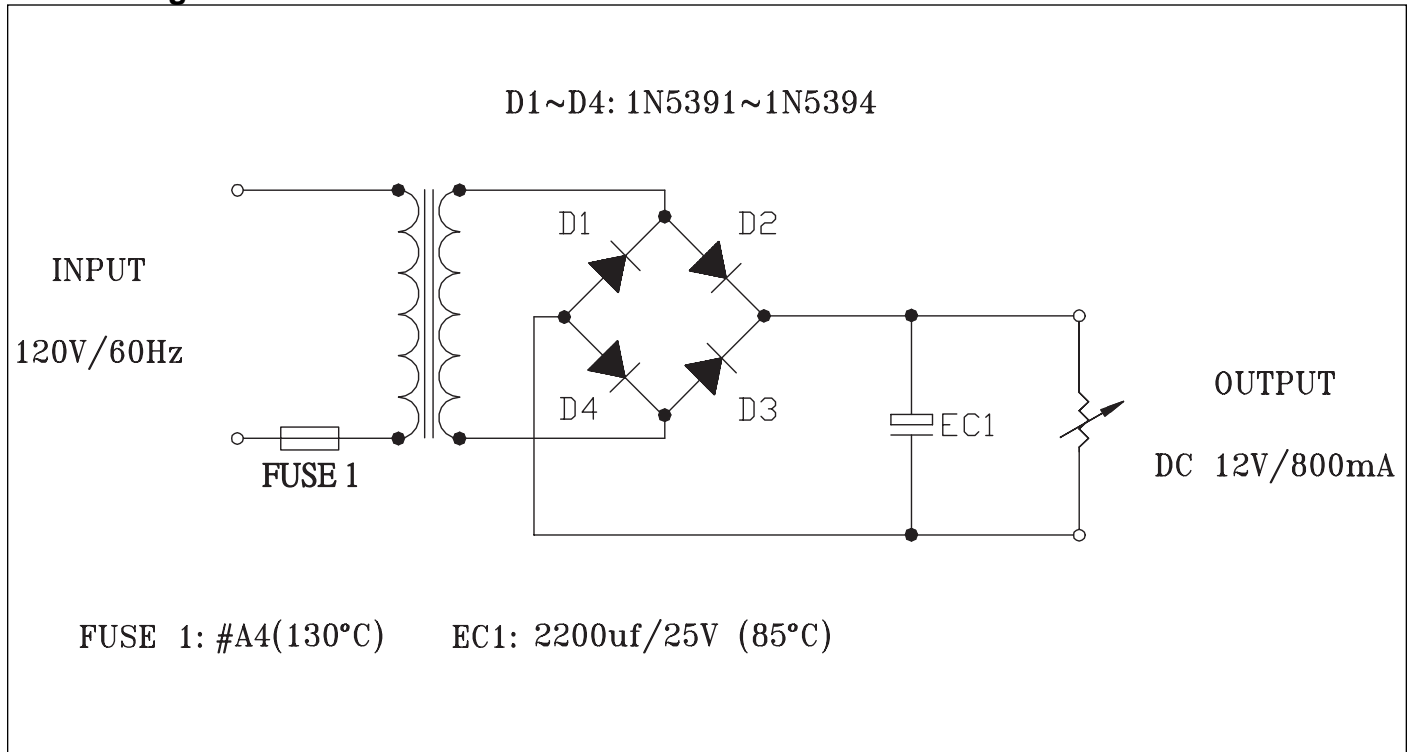
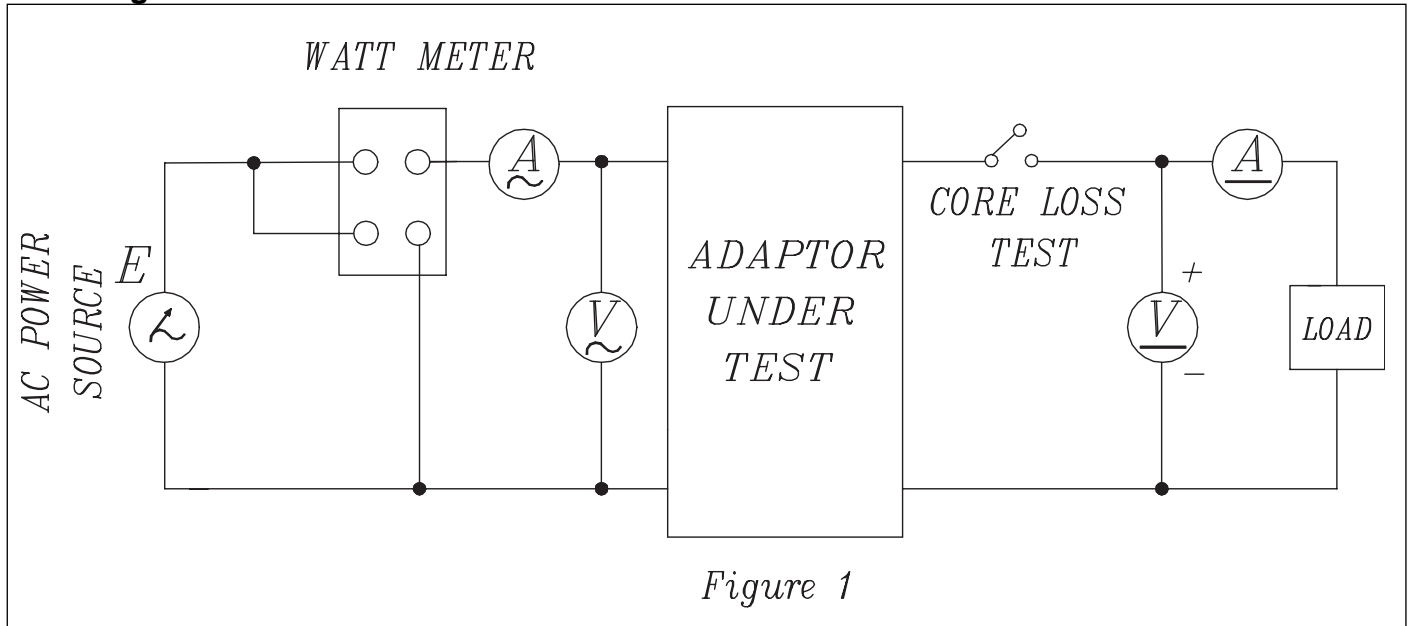
Weight

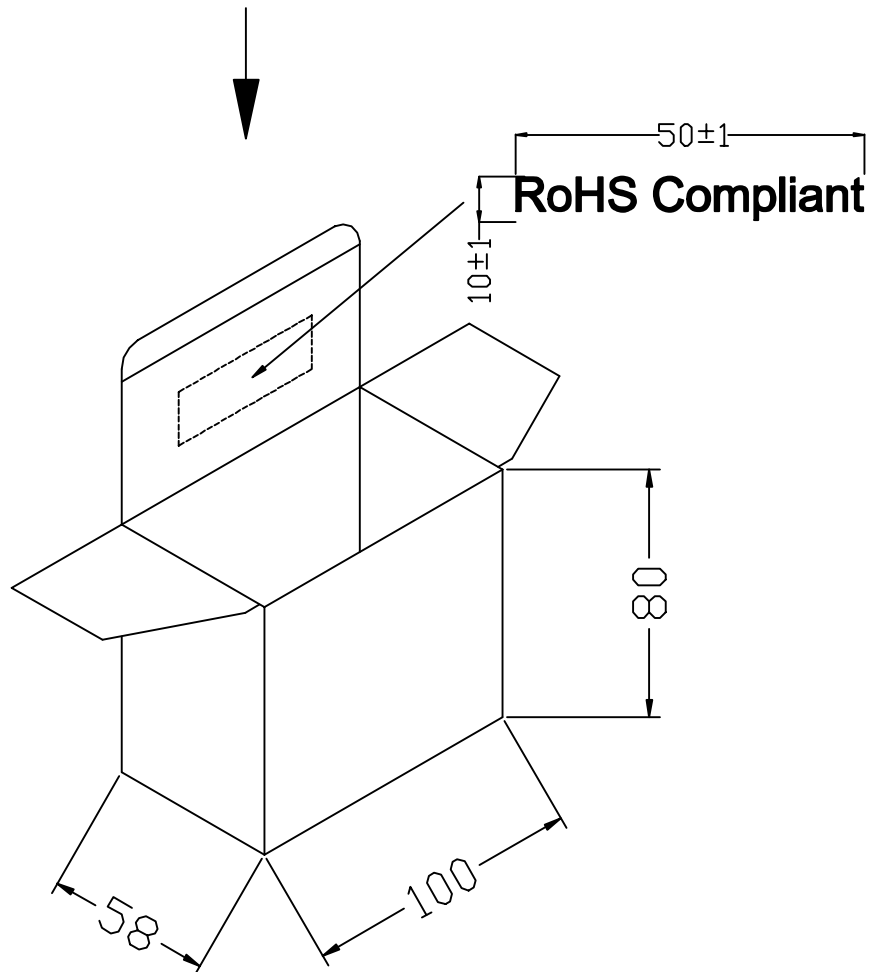
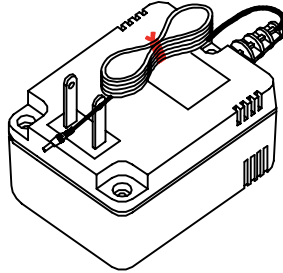
390 g



**DC Cord**


Parameter request	
a. ±60°	
b. WEIGHT 200g	
c. 40 ROUND/MINUTE	
d. OVER 1000 COUNT MIN	
VIBRATION TEST	

**Circuit Diagrams**

**Test Diagram**


**Individual Packaging**Tolerance:  $\pm 1$ 

**Packaging**

Tolerance: +7/-0

OUTSIDE CARTON:A=B(6mm)  
INSIDE CARTON:A=B(3mm)  
CARTON SIZE: 430x223x269mm  
Q'TY: 40pcs(10X4X1)

